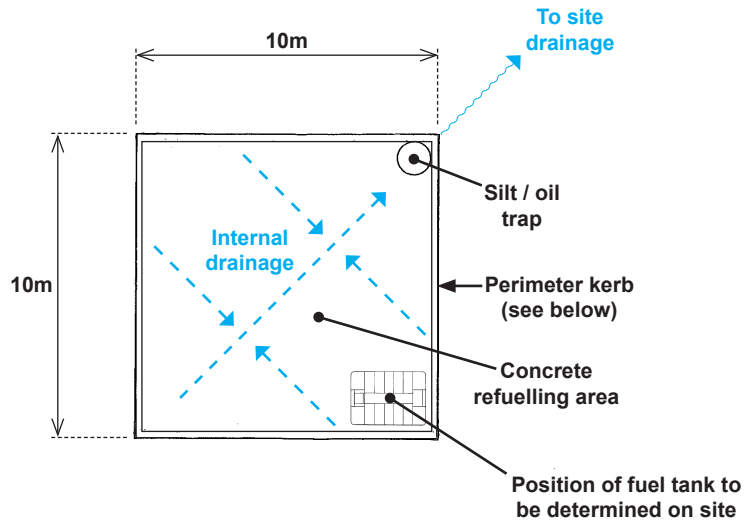
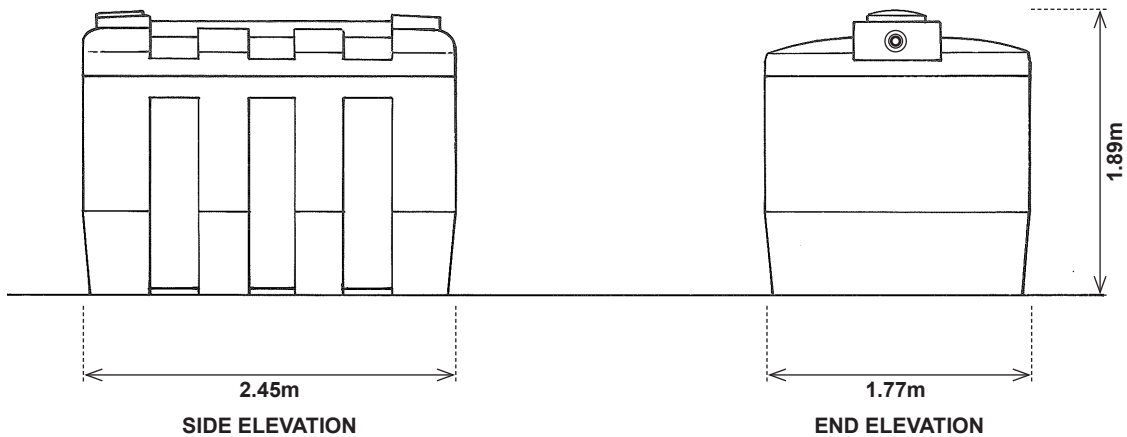
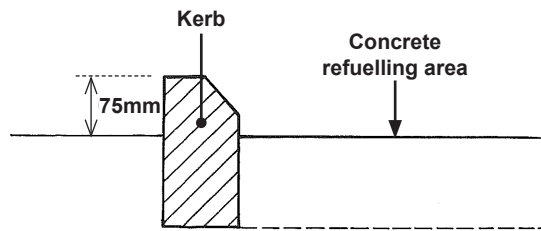


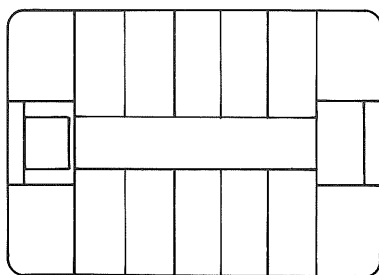
**PLAN VIEW SHOWING CONCRETE REFUELLING AREA**  
SCALE - 1:250 (at A4)



**SECTION SHOWING PERIMETER KERB**  
SCALE - 1:10 (at A4)



**PLAN VIEW**



**ELEVATIONS OF TYPICAL 3,500 LITRE BUNDED FUEL TANK**  
SCALE - 1:50 (at A4)

Colour is typically dark green  
(e.g. Holly Green - BS 4800 14 C 39 or similar)  
Appearance may vary with manufacturer

Version / amendment: **Gen./06 v3**