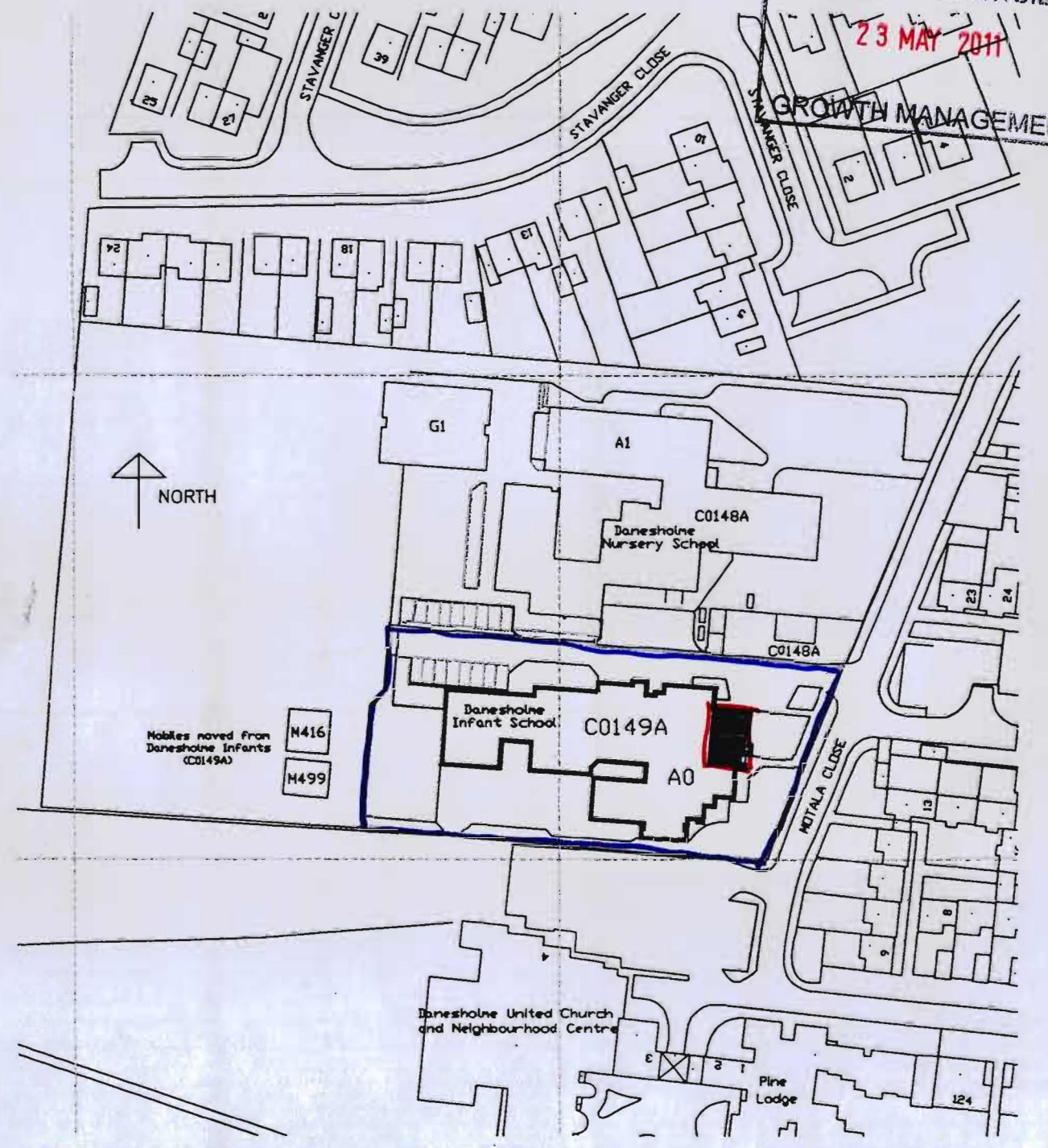
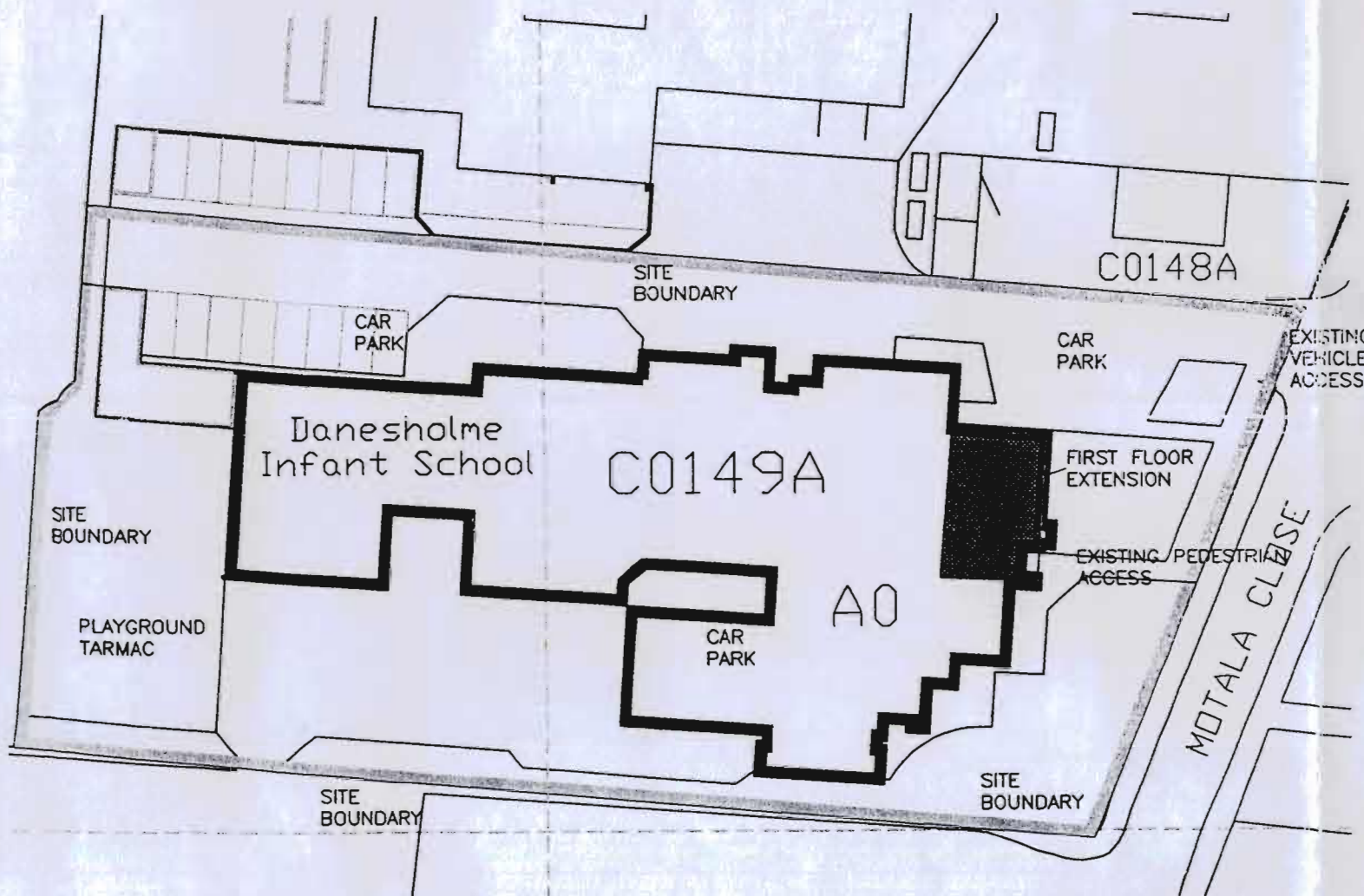


NORTHAMPTONSHIRE COUNTY COUNCIL
 23 MAY 2011
 GROWTH MANAGEMENT



SITE PLAN SCALE 1/1250

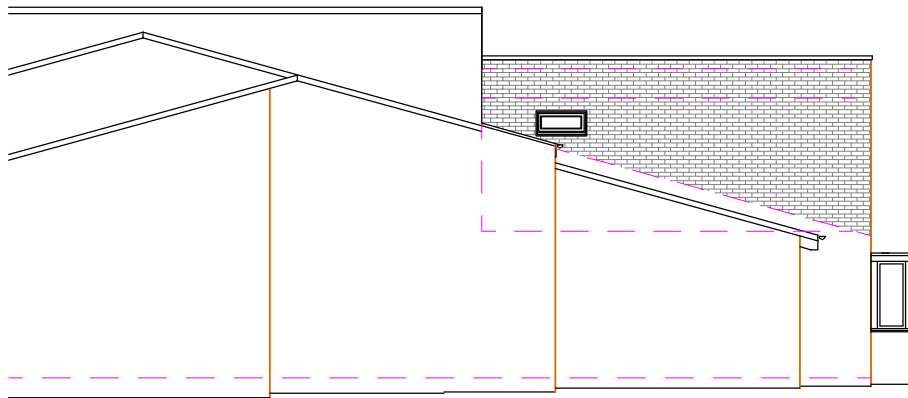


BLOCK PLAN SCALE 1/500

<p>Philip Horne Architectural Services 80A, Water Lane, Wootton Northampton, NN4 6HG Tel 01604 7652349 Office E-Mail philip-horne@btconnect.com</p>	<p>client Danesholme Infant School Motola Close, Corby Northamptonshire</p>	<p>scale 1/500 1/1250</p>	<p>date May 2011</p>	<p>drawn by P K H</p>
	<p>project Danesholme Infant School Motola Close, Corby Northamptonshire</p>	<p>All dimensions to be checked on site by the contractor and any discrepancies found shall be brought to the attention of Phillip Horne prior to any commencement of work. DO NOT SCALE</p>		
	<p>drawing Proposed Staffroom Extension First Floor Site Plan</p>	<p>drawing no 10/1073/100</p>	<p>date</p>	



FRONT ELEVATION



SIDE ELEVATION

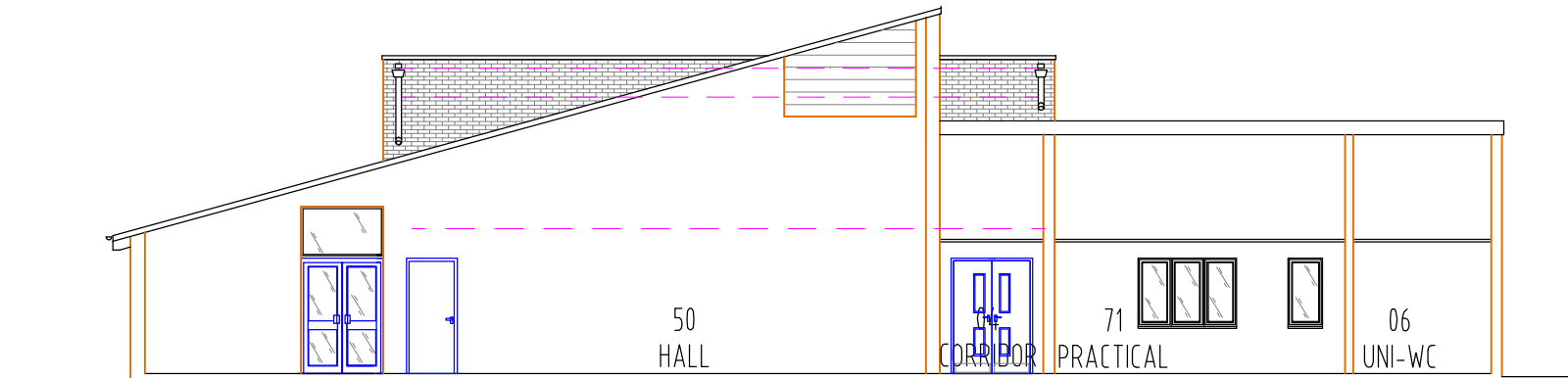
- ROOF: FELT FLAT ROOF
- FASCIA: PARAPET BRICKWORK
- GUTTER & DOWN PIPES: UPVC BLACK
- WALLS: BRICK TO MATCH EXISTING
- WINDOWS: UPVC DOUBLE GLAZED WHITE
- INTERNAL DOORS: TIMBER DOORS PAINTED

Rev	Description	Date
A	T&G Board replaced with brick	30-06-2011
scale	date	drawn by
1/100	April 2011	P K H
All dimensions to be checked on site by the contractor and any discrepancies found shall be brought to the attention of Philip Horne prior to any commencement of work.		
drawing no	10/1073/05	rev A

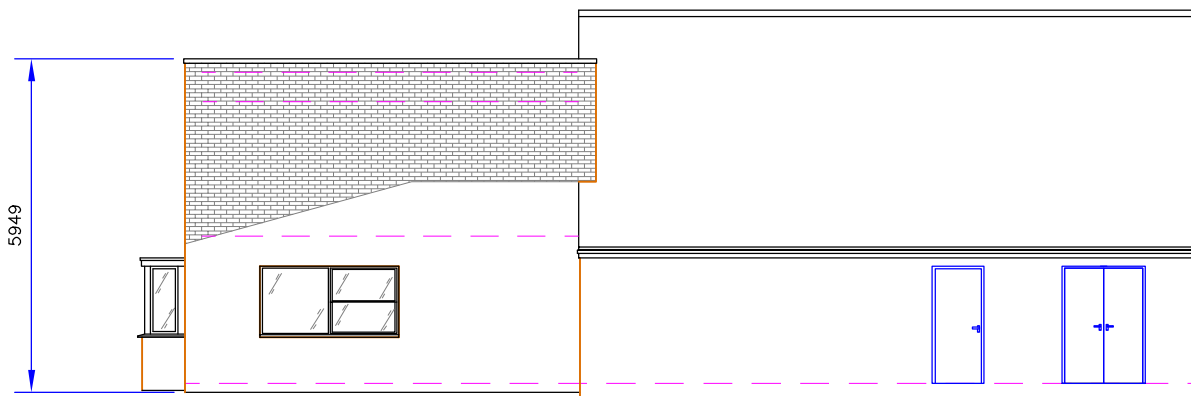
Philip Horne
 Architectural Services
 80A Water Lane, Wootton, Northampton, NN4 6HG
 Tel 01604 765239 Office
 Mob 07710 765038

client	Danesholme Infant School Motola Close, Corby Northamptonshire
project	Danesholme Infant School Motola Close, Corby Northamptonshire
drawing	Scheme Elevations -01

Status:
 Planning



REAR ELEVATION SECTION



SIDE ELEVATION

- ROOF: FELT FLAT ROOF
- FASCIA: BRICK PARAPET WALL
- GUTTER & DOWN PIPES: UPVC BLACK
- WALLS: BRICK TO MATCH EXISTING
- WINDOWS: UPVC DOUBLE GLAZED WHITE
- INTERNAL DOORS: TIMBER DOORS PAINTED

A	T&G Board replaced with brick	30-06-2011
Rev	Description	Date
scale	date	drawn by
1/100	April 2011	P K H
All dimensions to be checked on site by the contractor and any discrepancies found shall be brought to the attention of Philip Horne prior to any commencement of work.		
drawing no	10/1073/06	rev
		A

Philip Horne

Architectural Services

80A Water Lane, Wootton, Northampton, NN4 6HG

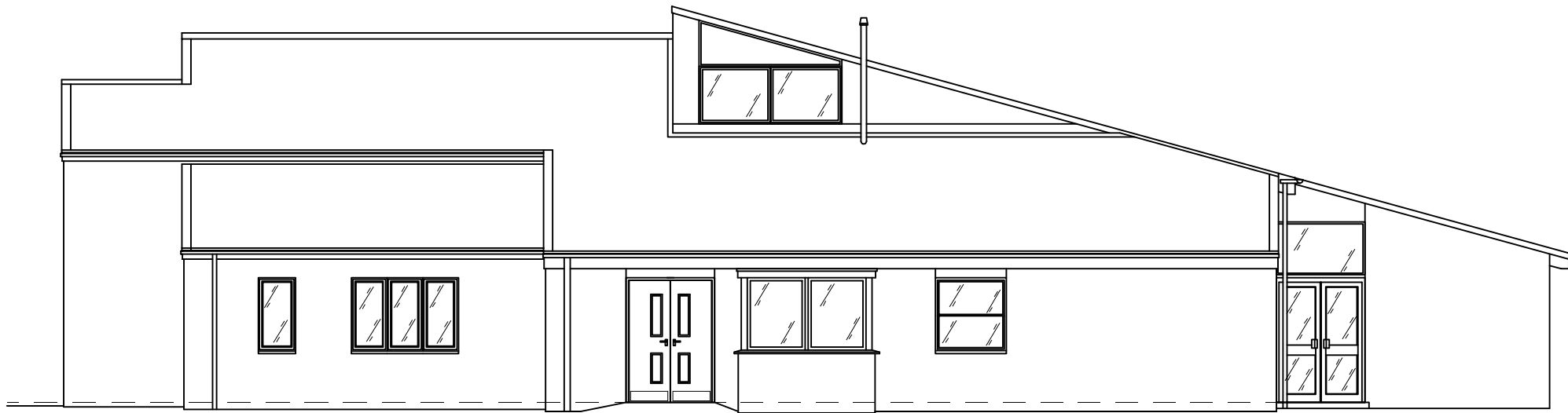
Tel 01604 765239 Office
Mob 07710 765038

client Danesholme Infant School
Motola Close, Corby
Northamptonshire

project Danesholme Infant School
Motola Close, Corby
Northamptonshire

drawing Scheme Elevations -02

Status:
Planning



ROOF: METAL PROFILE SHEET
ROOF PANELS (DECRA OR
SIMILAR)

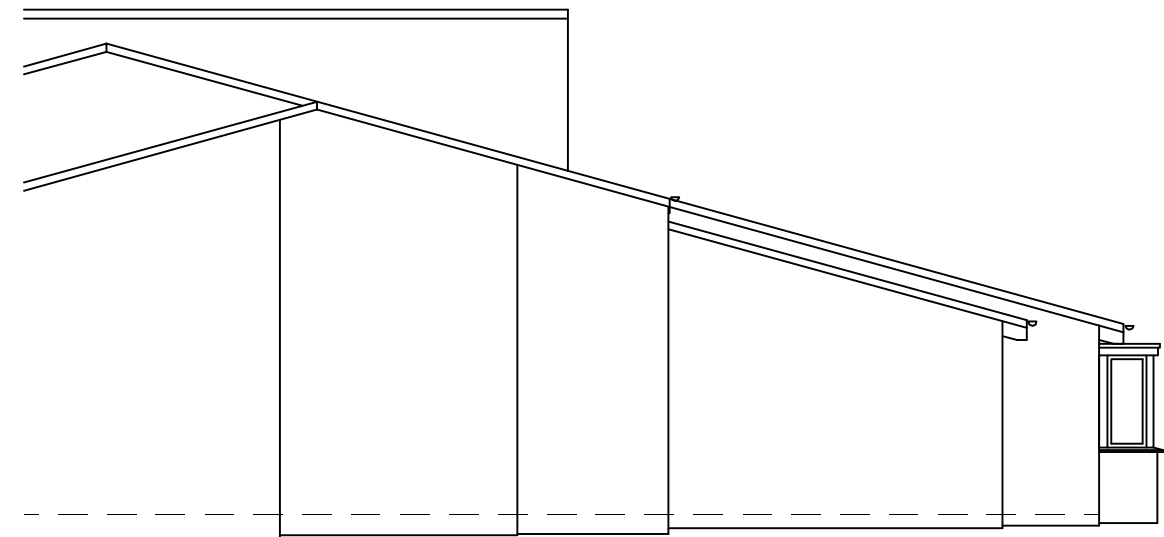
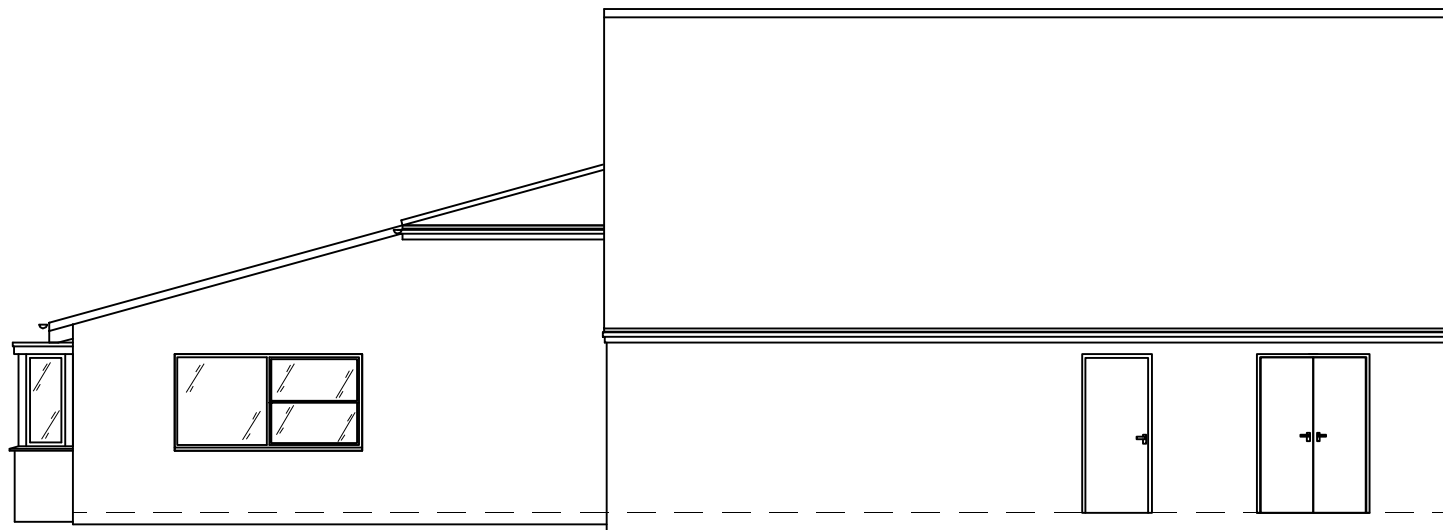
GUTTER & DOWN PIPES:
UPVC GREY

WALLS: BUFF/BROWN MULTI
BRICKS

WINDOWS: TIMBER SURROUND
WITH ALUMINIUM FRAME
INSERTS SINGLE GLAZED AND
TIMBER WITH DOUBLE
GLAZING

DOORS: TIMBER DOORS
PAINTED

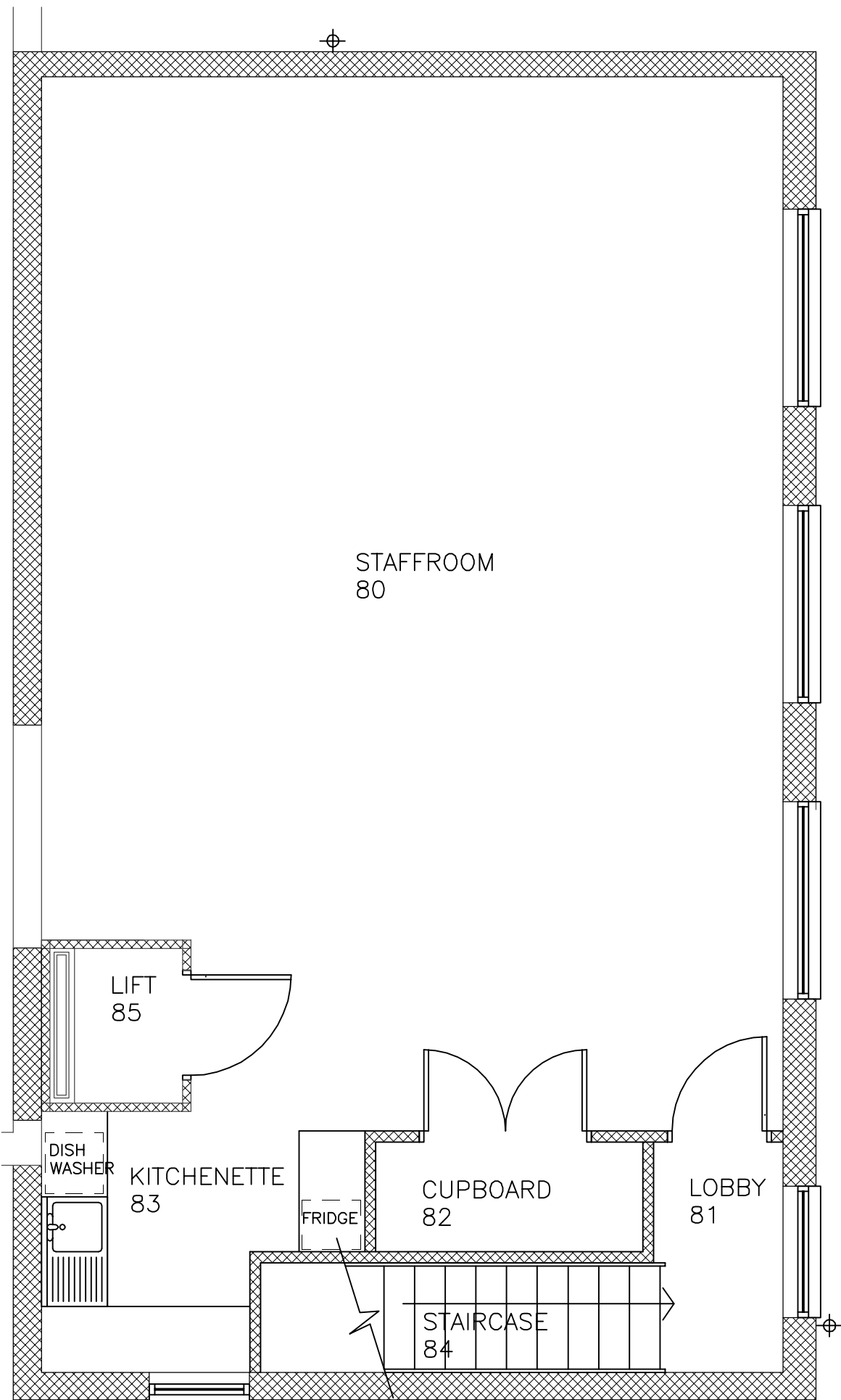
FRONT ELEVATION



SIDE ELEVATION

SIDE ELEVATION

<p>Philip Horne Architectural Services 80A Water Lane, Wootton, Northampton, NN4 6HG Tel 01604 765239 Office Mob 07710 765038</p>	<p>client Danesholme Infant School Motola Close, Corby Northamptonshire</p>	<p>Status: Planning</p>	<p>scale 1/100</p>	<p>date April 2011</p>	<p>drawn by P K H</p>
	<p>project Danesholme Infant School Motola Close, Corby Northamptonshire</p>		<p>All dimensions to be checked on site by the contractor and any discrepancies found shall be brought to the attention of Philip Horne prior to any commencement of work.</p>		
	<p>drawing Survey Elevations</p>		<p>drawing no 10/1073/02</p>	<p>rev</p>	



FLOOR COVERING: CARPET + VINYL IN THE KITCHENETTE AREA

WALLS: PLASTERBOARD ON TIMBER FRAMING: PAINTED

WINDOWS: UPVC DOUBLE GLAZED WHITE

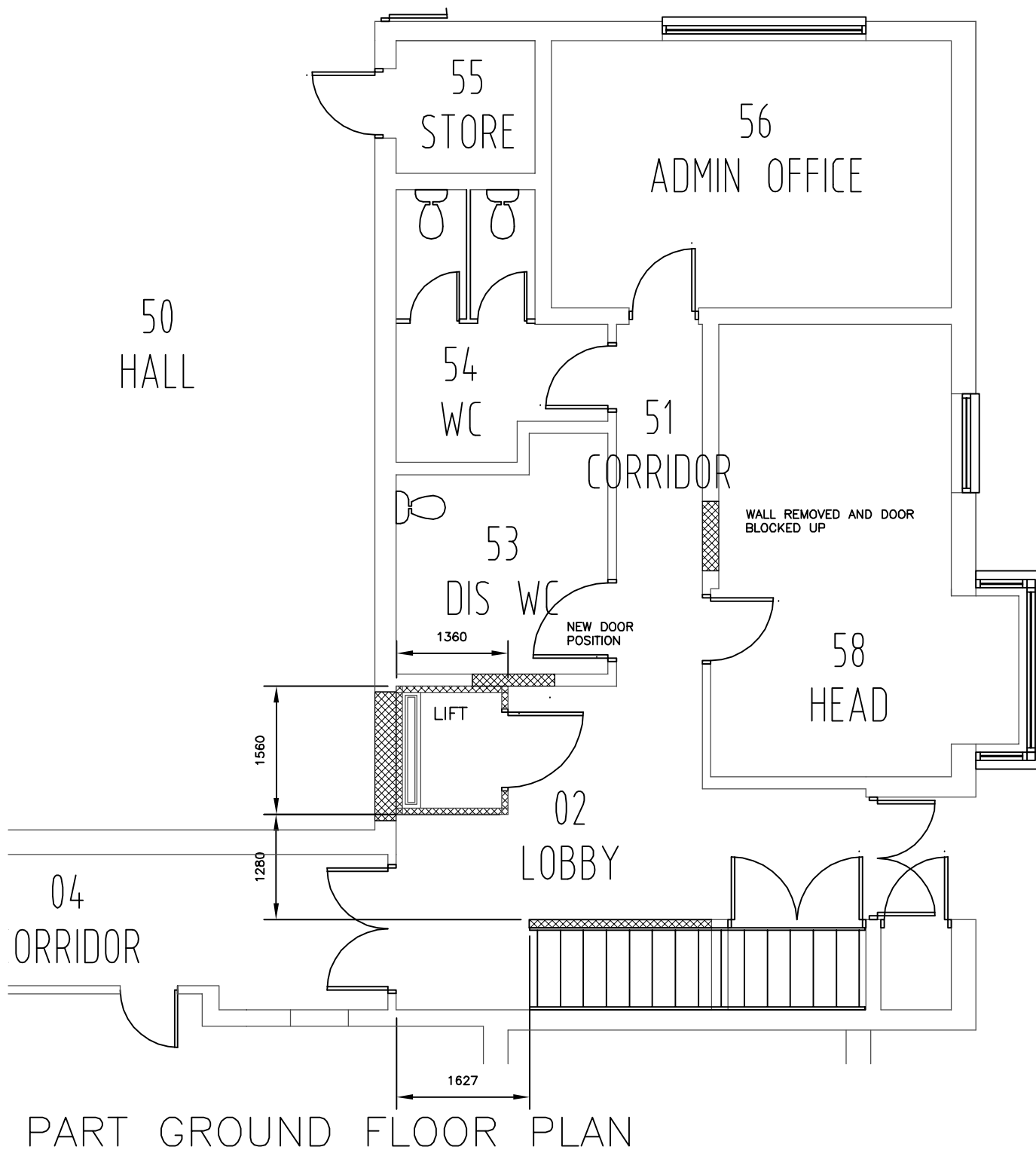
INTERNAL DOORS: TIMBER DOORS PAINTED

KITCHENETTE:
SINK
WATER HEATER
FRIDGE
DISHWASHER

FOUL WASTE WATER:
SINK AND DISHWASHER WASTE WATER INTO STACK PIPE BELOW IN DISABLED W/C

Rev	Description	Date
<p>Philip Horne Architectural Services 80A Water Lane, Wootton, Northampton, NN4 6HG Tel 01604 765239 Office e-mail philip-horne@btconnect.com</p>		
client	Danesholme Infant School Motola Close, Corby Northamptonshire	
project	Danesholme Infant School Motola Close, Corby Northamptonshire	
drawing	Scheme First Floor Plan	
Status	Planning	
scale	date	drawn by
1/50	April 2011	P K H
<p>All dimensions to be checked on site by the contractor and any discrepancies found shall be brought to the attention of Philip Horne prior to any commencement of work.</p>		
drawing no	11/1073/04	rev

FIRST FLOOR PLAN



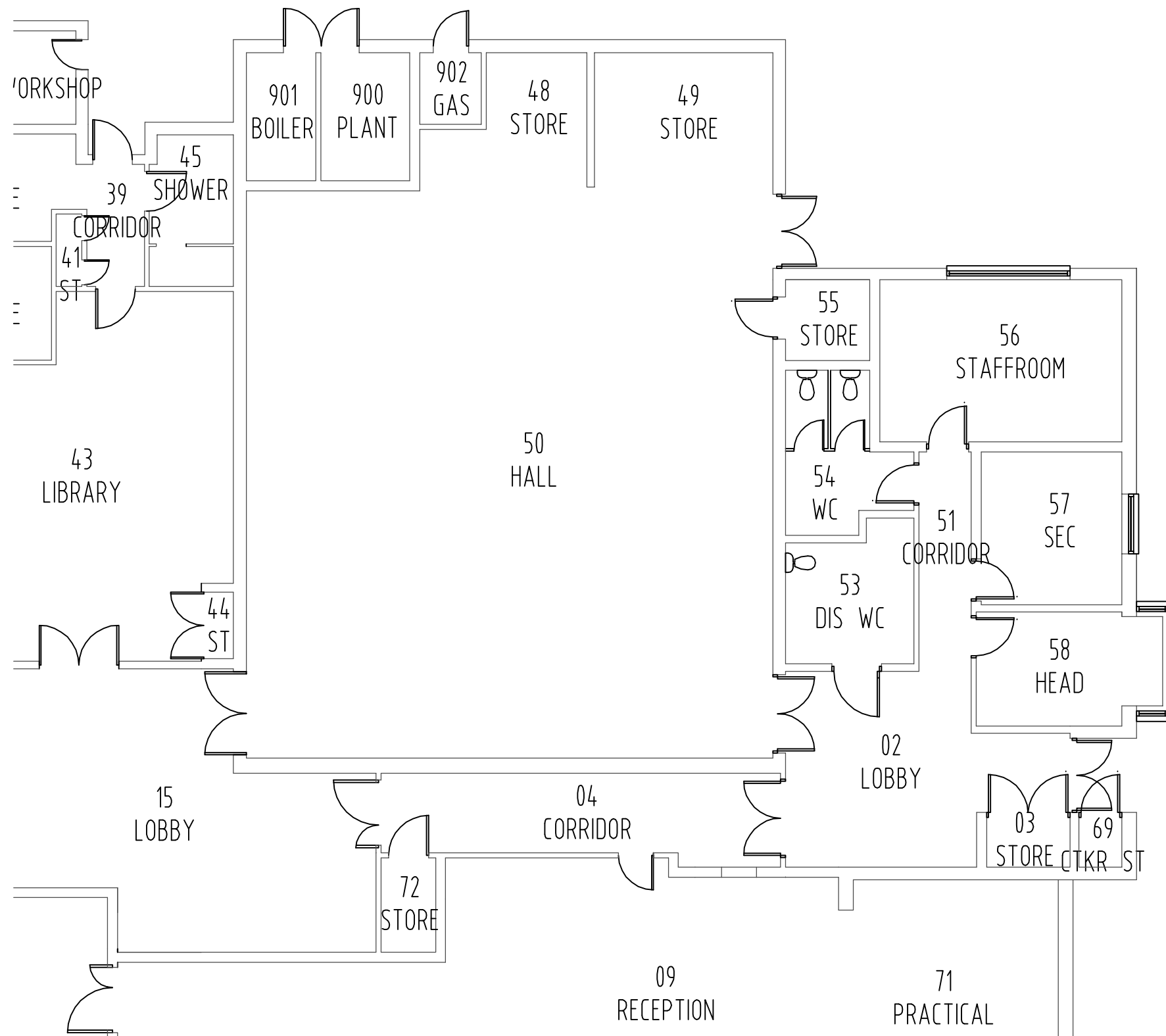
FLOOR COVERING: CARPET +
VINYL IN THE KITCHENETTE
AREA

WALLS: PLASTERBOARD ON
TIMBER FRAMING: PAINTED

INTERNAL DOORS: TIMBER
DOORS PAINTED

PART GROUND FLOOR PLAN

Rev	Description	Date
<p>Philip Horne Architectural Services 80A Water Lane, Wootton, Northampton, NN4 6HG Tel 01604 765239 Office e-mail philip-horne@btconnect.com</p>		
client	Danesholme Infant School Motola Close, Corby Northamptonshire	
project	Danesholme Infant School Motola Close, Corby Northamptonshire	
drawing	Scheme Ground Floor Plan	
Status	Planning	
scale	1/50	date
		April 2011
		drawn by
		P K H
<p>All dimensions to be checked on site by the contractor and any discrepancies found shall be brought to the attention of Philip Horne prior to any commencement of work.</p>		
drawing no	11/1073/03	rev



PART GROUND FLOOR PLAN

<p>Philip Horne Architectural Services 80A Water Lane, Wootton, Northampton, NN4 6HG Tel 01604 765239 Office Mob 07710 765038</p>	<p>client Danesholme Infant School Motola Close, Corby Northamptonshire</p>	<p>Status: Planning</p>	<p>scale 1/100</p>	<p>date April 2011</p>	<p>drawn by P K H</p>
	<p>project Danesholme Infant School Motola Close, Corby Northamptonshire</p>		<p>All dimensions to be checked on site by the contractor and any discrepancies found shall be brought to the attention of Philip Horne prior to any commencement of work.</p>		
	<p>drawing Survey Plans</p>		<p>drawing no 10/1073/01</p>	<p>rev</p>	